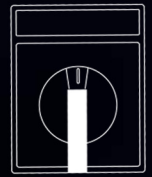
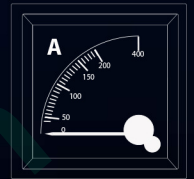




New product

SWITCH BOARD ACCESSORIES



The Leader of efficient
electrical equipment

Meter



(96x96)



Analog AC Ammeter

Name	Connection	Measuring Range				Price
MV-AM-xx	CT 5 A	30A	60A	100A	150A	320 Baht
		200A	250A	300A	400A	
		500A	600A	800A	1000A	
		1200A	1500A	1600A	2000A	
		2500A	3000A	4000A	5000A	



Analog AC Voltmeter

Name	Connection	Measuring Range	Price
MV-VM-xx	Direct	300V,500V,600V	360 Baht



Analog Hz meter

Name	Connection	Accuracy	Range	Price
MV-Hz-xx	Direct	1.5	45-50 Hz	1,000 Baht



Legrand

Name	Connection	Accuracy	Range	Price
CAT. N 4 120 47	Via CT	1.5 or 1	45-65 Hz	5,840 Baht

Selector Switcher



Ammeter Selector Parameters LW-26-20



Name	Plate Type	Color(Plate-Handle)	Dimension(mm)	Price
MV-A-SB48	LH3/3 : 0-R-S-T	Silver-Black	48 x 60	500 Baht
MV-A-SB64	LH3/3 : 0-R-S-T	Silver-Black	64 x 80	600 Baht



Name	Plate Type	Color(Plate-Handle)	Dimension(mm)	Price
MV-A-YR48	LH3/3 : 0-R-S-T	Yellow-Red	48 x 60	430 Baht
MV-A-YR64	LH3/3 : 0-R-S-T	Yellow-Red	64 x 80	450 Baht

Voltmeter Selector Switcher LW-26-20



Name	Plate Type	Color(Plate-Handle)	Dimension(mm)	Price
MV-V-SB48	YH3/3 : 0-RS-ST-TR	Silver-Black	48 x 60	500 Baht
MV-V-SB48	YH5/3	Silver-Black	48 x 60	500 Baht
MV-V-SB64	YH5/3	Silver-Black	64 x 80	600 Baht



Name	Plate Type	Color(Plate-Handle)	Dimension(mm)	Price
MV-V-YR48	TR-ST-RS-0-RN-SN-TN	Yellow-Red	48 x 60	430 Baht
MV-A-YR64	TR-ST-RS-0-RN-SN-TN	Yellow-Red	64 x 80	450 Baht
LH3/3 : 0-R-S-T	Yellow-Red	64 x 80	450 Baht	

Current transformer



Current Transformer Class 0.5



Name	Size(mm)	Current ratio	Burden	Price
MV-CT30/30/5	30x10	30/5A	5VA	200 Baht
MV-CT30/100/5		100/5A		
MV-CT30/150/5		150/5A		
MV-CT30/200/5		200/5A		
MV-CT30/250/5		250/5A		



Name	Size(mm)	Current ratio	Burden	Price
MV-CT40/250/5	40x10	250/5A	5VA	220 Baht
MV-CT40/300/5		300/5A		



Name	Size(mm)	Current ratio	Burden	Price
MV-CT60/400/5	60x20	400/5A	5VA 7.5VA	350 Baht
MV-CT60/500/5		500/5A		
MV-CT60/600/5		600/5A		
MV-CT60/800/5		800/5A		



Name	Size(mm)	Current ratio	Burden	Price
MV-CT80/1200/5	80x20	1200/5A	10VA	650 Baht



Name	Size(mm)	Current ratio	Burden	Price
MV-CT100/1000/5	105x30	1000/5A	10VA	580 Baht
MV-CT100/1200/5		1200/5A	10VA	650 Baht
MV-CT100/1500/5		1500/5A	15VA	770 Baht
MV-CT100/1600/5		1600/5A	15VA	770 Baht
MV-CT100/2000/5		2000/5A	20VA	860 Baht



Name	Size(mm)	Current ratio	Burden	Price
MV-CT125/2000/5	125x52	2000/5A	20VA	1,280 Baht
MV-CT125/2500/5		2500/5A	25VA	



Name	Size(mm)	Current ratio	Burden	Price
MV-CT125/3000/5	125x58	3000/5A	30VA	1,500 Baht
MV-CT125/4000/5		4000/5A		1,900 Baht
MV-CT125/5000/5		5000/5A		2,100 Baht

Surge Arrester



Name	Rating current	Price
STPT12-25K275V-1PM	Class 1+2, 25 kA, 275V (10/350 us)	14,000 Baht



Name	Rating current	Price
STPT12-12K275V-4PGM	Class 1+2, 12.5 kA, 275V (10/350 us)	24,000 Baht



Name	Rating current	Price
STPT23-20K320V-1P	Class 2+3, 20 kA, 320V	4,000 Baht



Name	Rating current	Price
STPT23-20K-N	Class 2+3, 20 kA(Neutral)	5,000 Baht



Name	Rating current	Price
STPT23-10K320V-C4-WD	Surge LED Class 2+3, 10 kA	2,000 Baht



Name	Rating current	Price
STS485-27V-2W	Surge RS485 Type C2+D1, 10 kA	12,000 Baht

Surge Arrester



Surge Counter



Name	Rating current	Price
MV-SPD-IC	IC 03/IC 04 1kA , rise time : 8-10 us	3,500 Baht

Surge Protection Device LED



Name	Rating current	Price
MV-SPD-LAXR45	Parameter 10/700 us	900 Baht



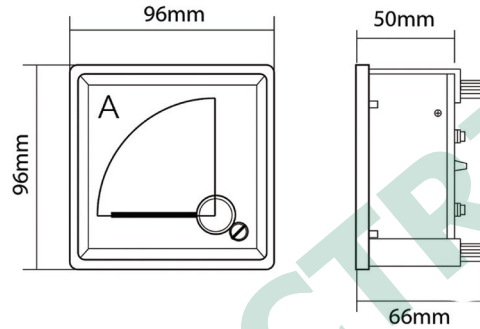
Name	Rating current	Price
MV-SPD-LAYWH10	5KA 8/20us 10KV	380 Baht
MV-SPD-LAYWH20	10KA 8/20us 20KV	520 Baht

Dimension Meter

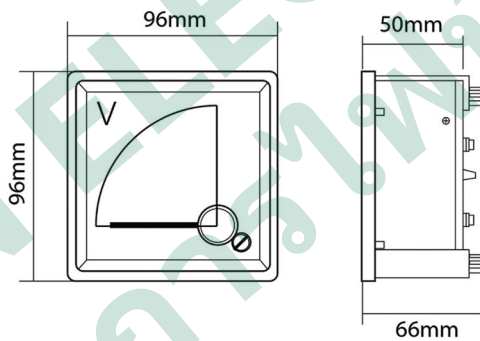


(96x96)

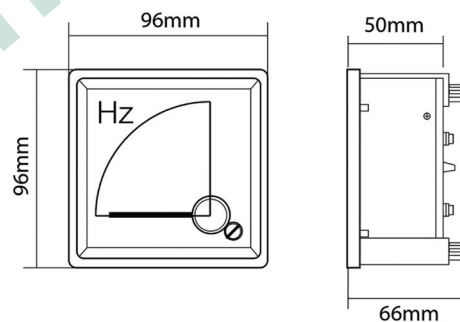
MV-AM-XX



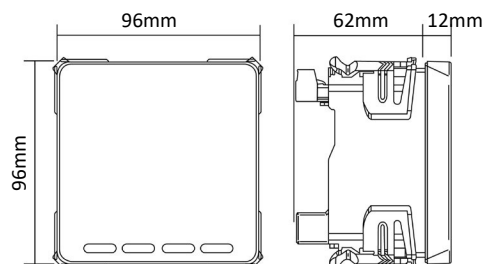
MV-VM-XX



MV-Hz-XX



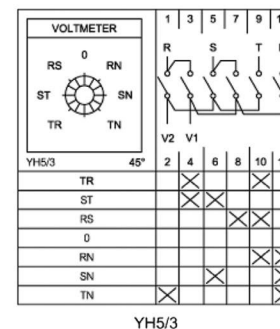
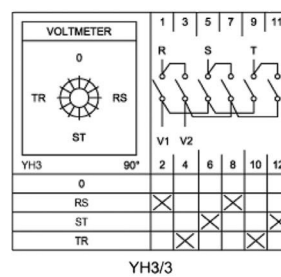
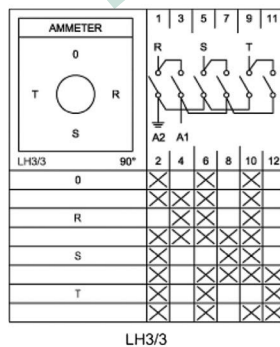
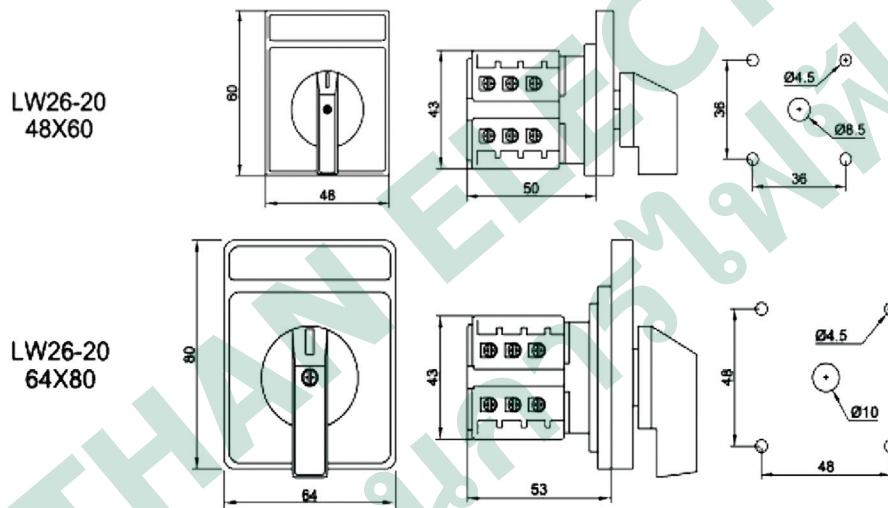
Cat. N 4 120 47



Dimension Selector Switcher



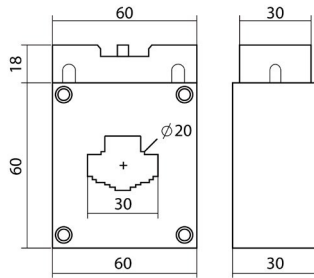
Ammeter Selector Parameter LW26-20 Voltmeter Selector Switcher LW26-20



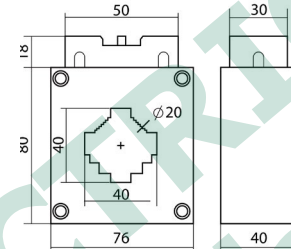
Dimension Current transformer



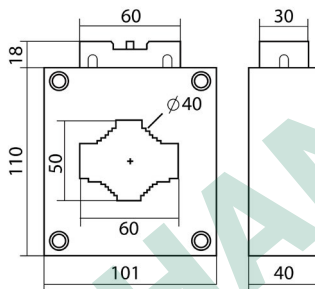
MV-CT30



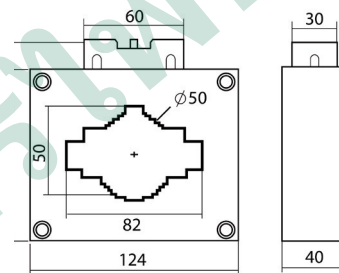
MV-CT40



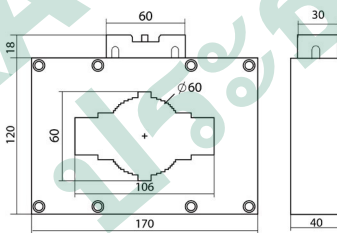
MV-CT60



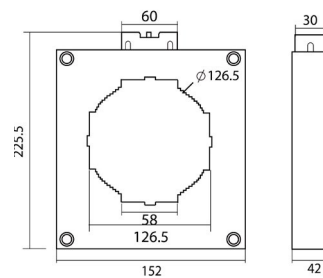
MV-CT80



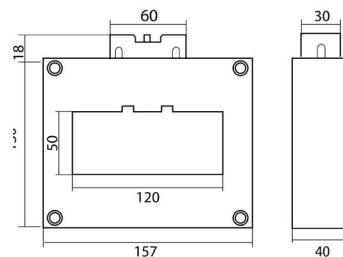
MV-CT100



MV-CT125



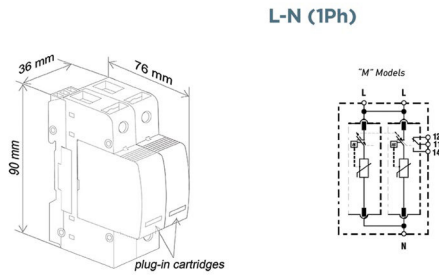
MV-CT125



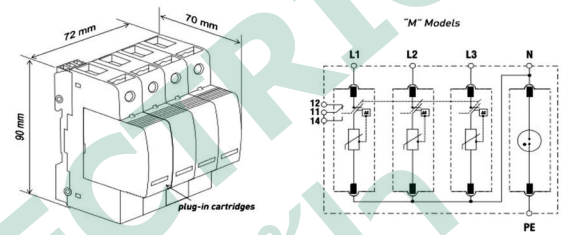
Dimension Surge Arrester



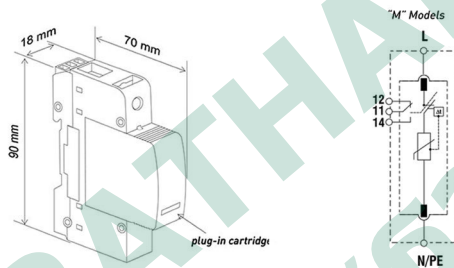
STPT12-25K275V-1PM



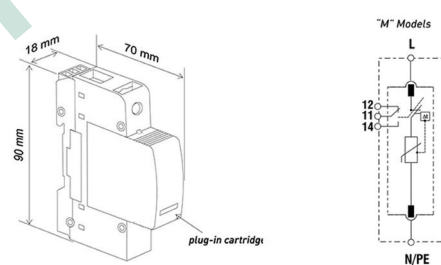
STPT12-12K275V-4PG(M)



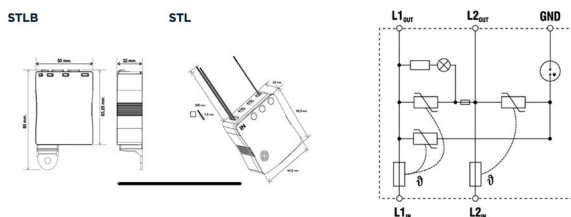
STPT23-20K320V-1P



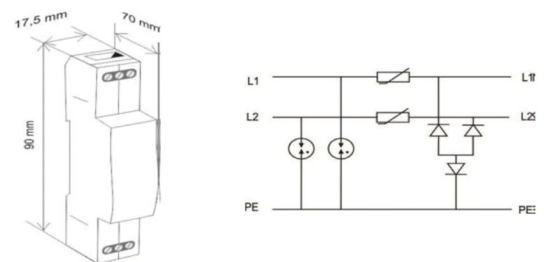
STPT23-20K-N



STPT23-10K320V-C4-WD



STS485-27V-2W

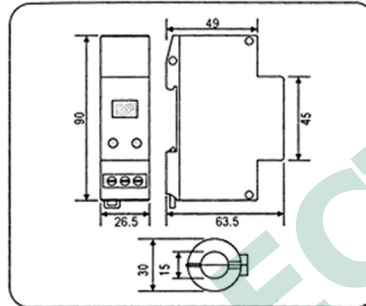


Dimension Surge Arrester



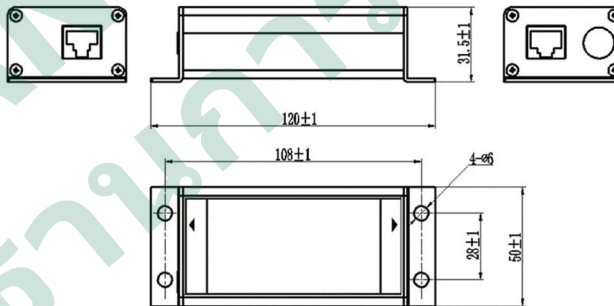
MV-SPD-IC

Dimension diagram:



MV-SPD-LAXR45

Dimensions



MV-SPD-LAYWH10

Unit: mm

